

COMPACT VALVE - 1/2

Series DS2

Cat No DS2 - 01 - 05

MANUALLY OPERATED VALVE - G1/2

Features

- Compact size
- Suitable for panel mounting
- Mounting provision for individual unit

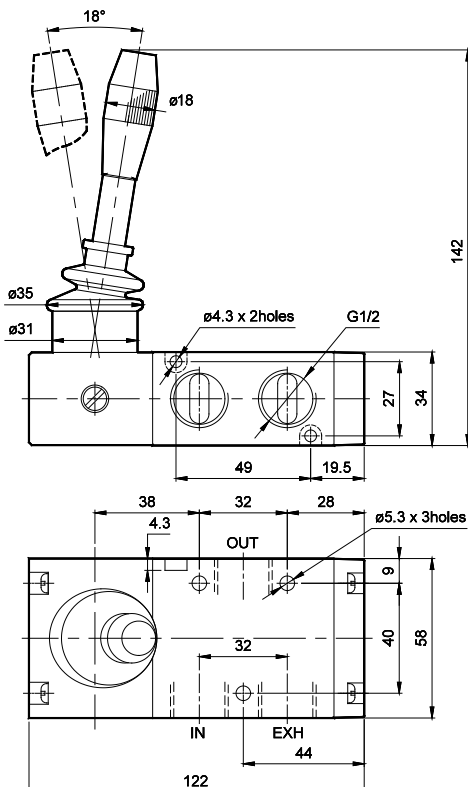


Technical Specifications

| | |
|---------------------------------|--|
| Model | DS2 |
| Type | 3/2, 5/2, 5/3 |
| Design | Spool type |
| Port Size | Inlet, Outlet, Exhaust - G1/2 |
| Medium | Compressed air - Dry, filtered, lubricated |
| Max. Working Pressure | 10 bar |
| Recommended oil for lubrication | ISO VG32 (Servo system 32) |
| Ambient / Medium temperature | 5° - 60° C |
| Flow ® | 3500 lts/min |
| Materials of construction | Aluminium, Nitrile, Brass, Acetal |

® Inlet pressure 6 bar, and pressure drop 1 bar

3 / 2 Hand lever operated valve with spring return



1 - Inlet, 2 - Outlet, 3 - Exhaust

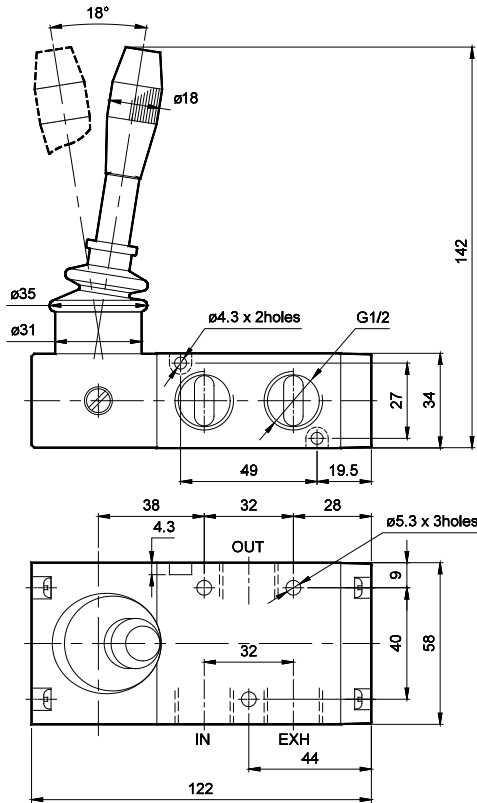
| Ordering No | DS237HR63 | DS247HR63 |
|-------------|---------------|-----------------|
| Type | Normally open | Normally closed |
| Symbol | | |

COMPACT VALVE - 1/2

Series DS2

Cat No DS2 - 01 - 05

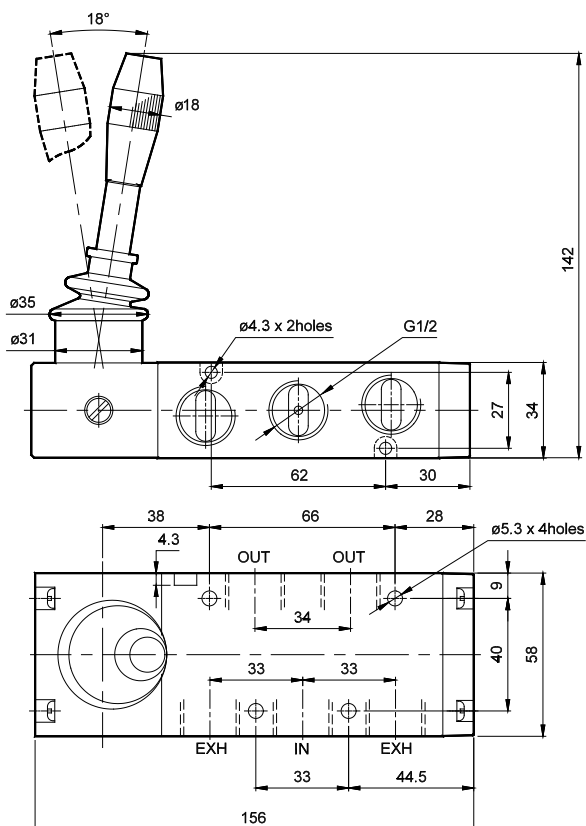
3 / 2 Hand lever operated valve with detent



1 - Inlet, 2 - Outlet, 3 - Exhaust

| Ordering No | DS237HD63 | DS247HD63 |
|-------------|---------------|-----------------|
| Type | Normally open | Normally closed |
| Symbol | | |

5 / 2 Hand lever operated valve with spring return



1 - Inlet, 2,4 - Outlet, 3,5 - Exhaust

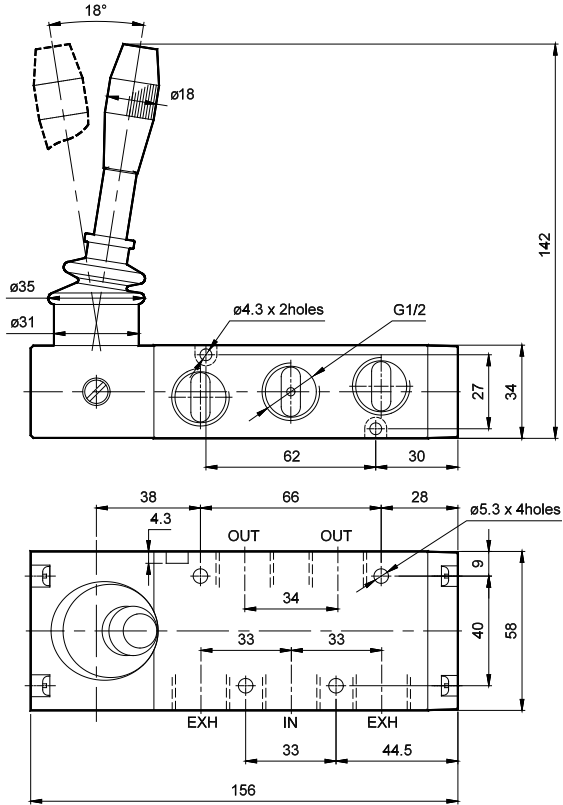
| Ordering No | DS257HR63 |
|-------------|-----------|
| Symbol | |

COMPACT VALVE - 1/2

Series DS2

Cat No DS2 - 01 - 05

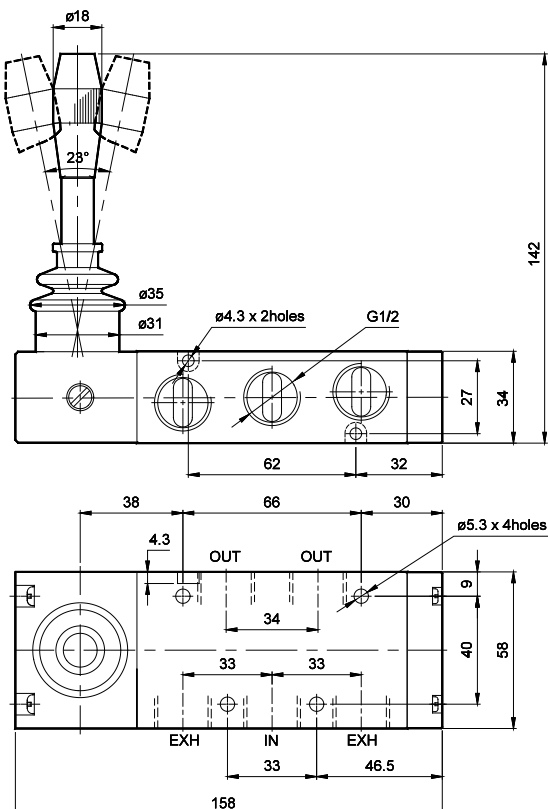
5 / 2 Hand lever operated valve with detent



1 - Inlet, 2,4 - Outlet, 3,5 - Exhaust

| | |
|-------------|-----------|
| Ordering No | DS257HD63 |
| Symbol | |

5 / 3 Hand lever operated valve with detent



1 - Inlet, 2,4 - Outlet, 3,5 - Exhaust,

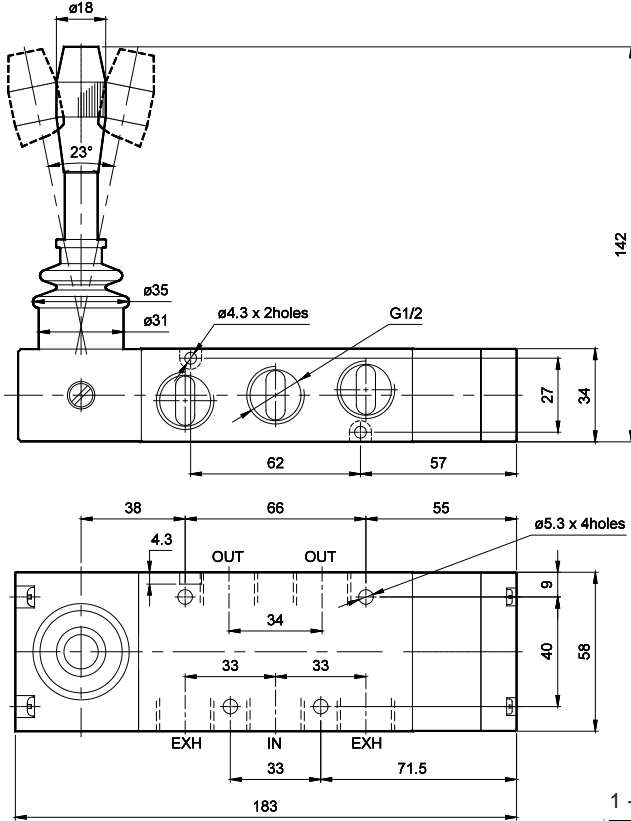
| Ordering No | DS267HD63 | DS277HD63 | DS287HD63 |
|-------------|-----------|-----------|-----------|
| Type | Blocked | Exhausted | Energised |
| Symbol | | | |

COMPACT VALVE - 1/2

Series DS2

Cat No DS2 - 01 - 05

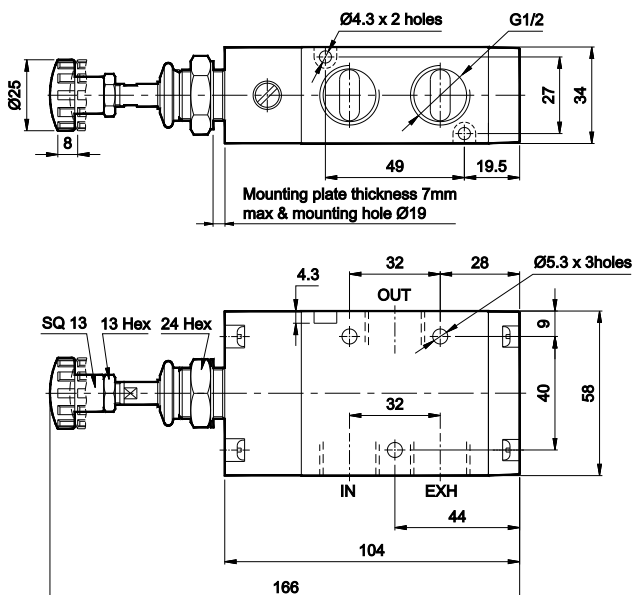
5 / 3 Hand lever operated valve with spring centered



1 - Inlet, 2,4 - Outlet, 3,5 - Exhaust

| Ordering No | DS267HC63 | DS277HC63 | DS287HC63 |
|-------------|-----------|-----------|-----------|
| Type | Blocked | Exhausted | Energised |
| Symbol | | | |

3 / 2 Push Pull operated valve with spring return



1 - Inlet, 2 - Outlet, 3 - Exhaust

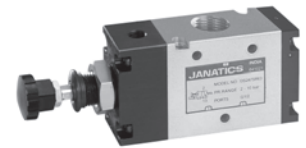
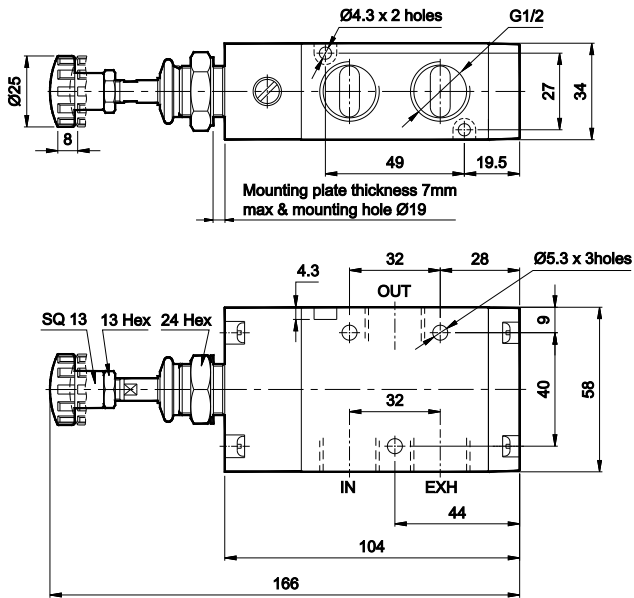
| Ordering No | DS237PR63 | DS247PR63 |
|-------------|---------------|-----------------|
| Type | Normally open | Normally closed |
| Symbol | | |

COMPACT VALVE - 1/2

Series DS2

Cat No DS2 - 01 - 05

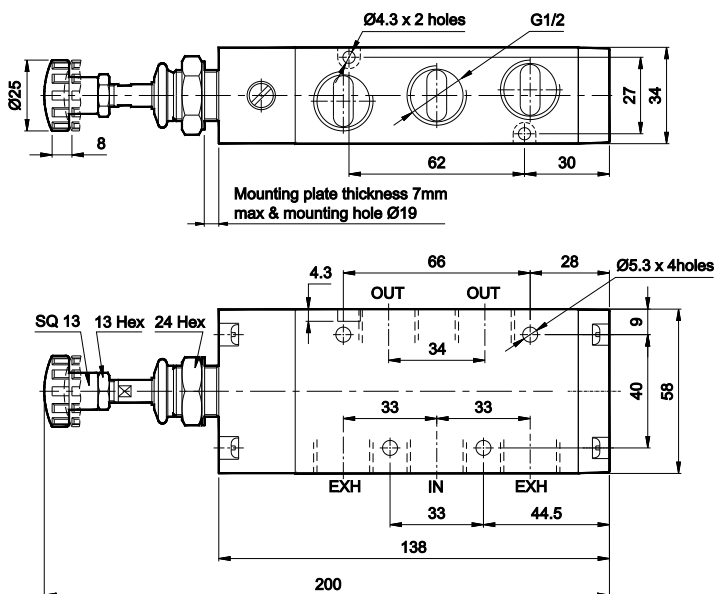
3 / 2 Push Pull operated valve with detent



1 - Inlet, 2 - Outlet, 3 - Exhaust

| Ordering No | DS237PD63 | DS247PD63 |
|-------------|---------------|-----------------|
| Type | Normally open | Normally closed |
| Symbol | | |

5 / 2 Push Pull operated valve with spring return



1 - Inlet, 2,4 - Outlet, 3,5 - Exhaust

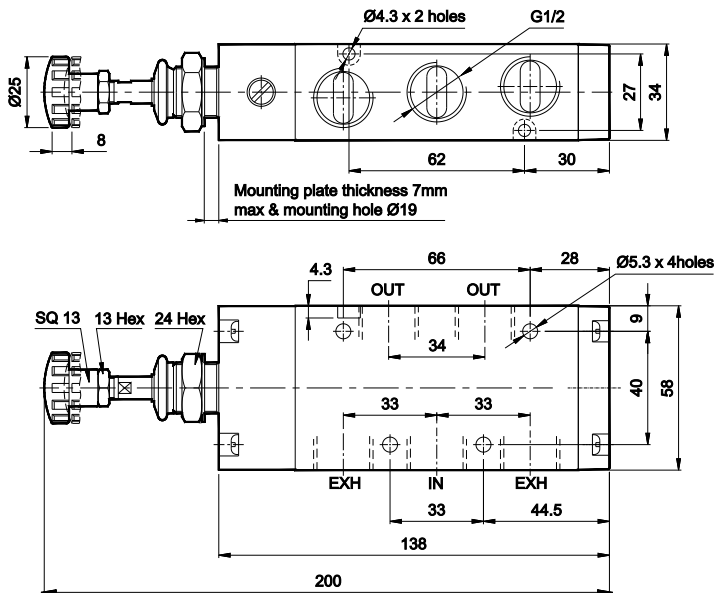
| Ordering No | DS257PR63 |
|-------------|-----------|
| Symbol | |

COMPACT VALVE - 1/2

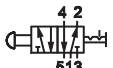
Series DS2

Cat No DS2 - 01 - 05

5 / 2 Push Pull operated valve with detent



1 - Inlet, 2,4 - Outlet, 3,5 - Exhaust

| | |
|-------------|---|
| Ordering No | DS257PD63 |
| Symbol |  |

How to Order

While ordering valve, mention the ordering number given in the corresponding tables.