

# COMPACT VALVE - 1/8

## Series DS2

Cat No DS2 - 01 - 07

### COMPACT VALVE - G1/8

#### Features

- Suitable for manifold mounting
- Mounting provision for individual unit
- Compact size
- Manual override
- Wide range of manifolds available
- Wide range of coil voltages

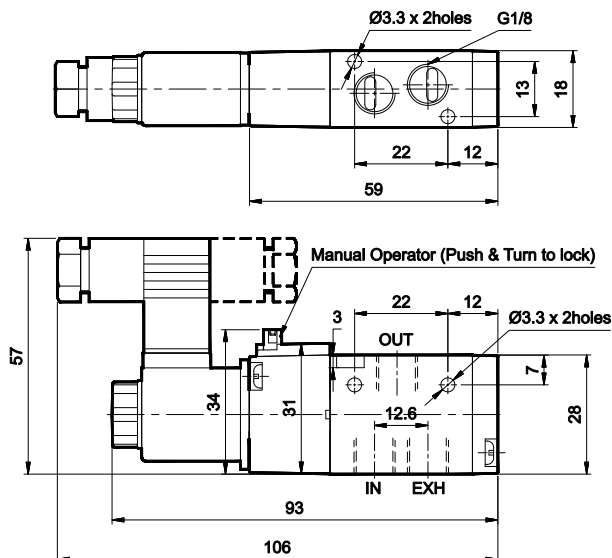


#### Technical Specifications

Model	DS2
Type	3/2, 5/2, 5/3
Design	Spool type
Port Size	Inlet, Outlet, Exhaust - G1/8, External pilot - M5
Medium	Compressed air - Dry, filtered, lubricated
Working Pressure range	2 - 8 bar
External pilot pressure (ER model)	2 - 4 bar
Recommended oil for lubrication	ISO VG32 (Servo system 32)
Ambient / Medium temperature	5° - 60° C
Flow <sup>®</sup>	450 lts/min
Materials of construction	Aluminium, Nitrile, Brass, Acetal, PBT, Zinc, SS, Nylon, Poly Amide
<b>Electrical</b>	
Coil width	17 mm
Voltage (V) ± 10%	AC ( 50 Hz ) - 24, 48, 110, 220
	DC - 12, 24, 48, 110
Power consumption	AC - 3.6 VA, DC - 2.5 W
Duty cycle	Continuous
Class of insulation	Class F
Type of coil protection	IP65

@ Inlet pressure 6 bar, and pressure drop 1 bar

### 3 / 2 Single Solenoid pilot operated valve with spring return



1 - Inlet, 2 - Outlet, 3 - Exhaust

Ordering No*	DS234SR60	DS244SR60
Type	Normally open	Normally closed
Symbol		

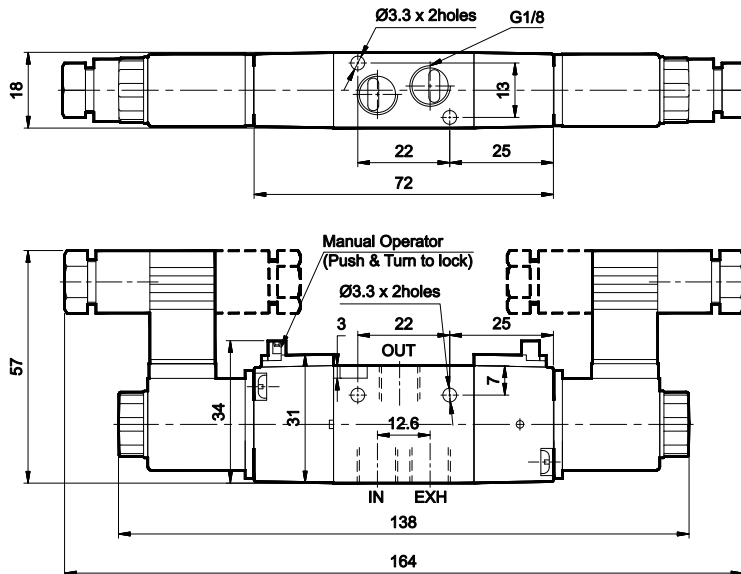
\* For ordering No, voltage to be added. Refer page no. 2.3.9

# COMPACT VALVE - 1/8

Series DS2

Cat No DS2 - 01 - 07

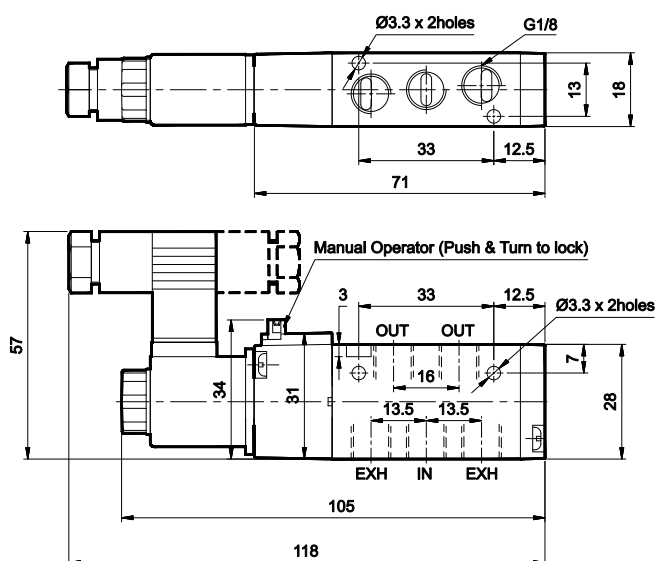
## 3 / 2 Double solenoid pilot operated valve



1 - Inlet, 2 - Outlet, 3 - Exhaust

Ordering No*	DS234SS60	DS244SS60
Type	Normally open	Normally closed
Symbol		

## 5 / 2 Single solenoid pilot operated valve with spring return



1 - Inlet, 2,4 - Outlet, 3,5 - Exhaust

Ordering No*	DS254SR60
Symbol	

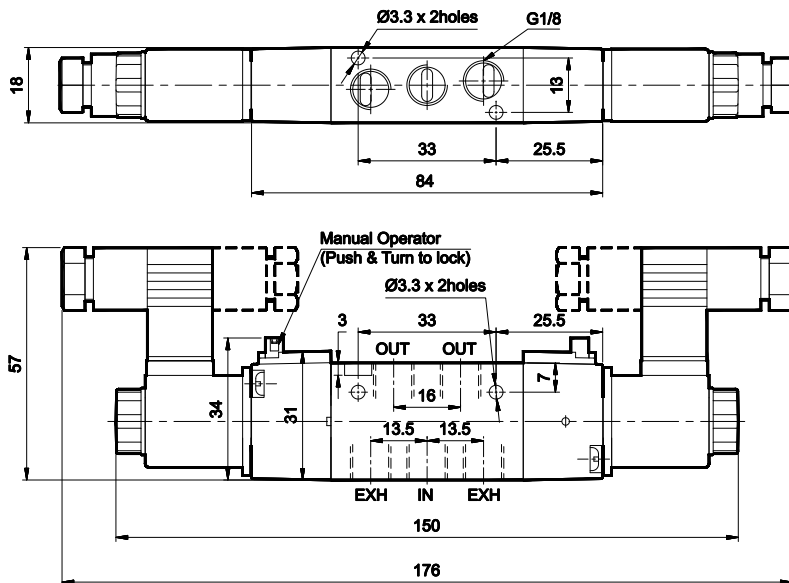
\* For ordering No, voltage to be added. Refer page no. 2.3.9

# COMPACT VALVE - 1/8

Series DS2

Cat No DS2 - 01 - 07

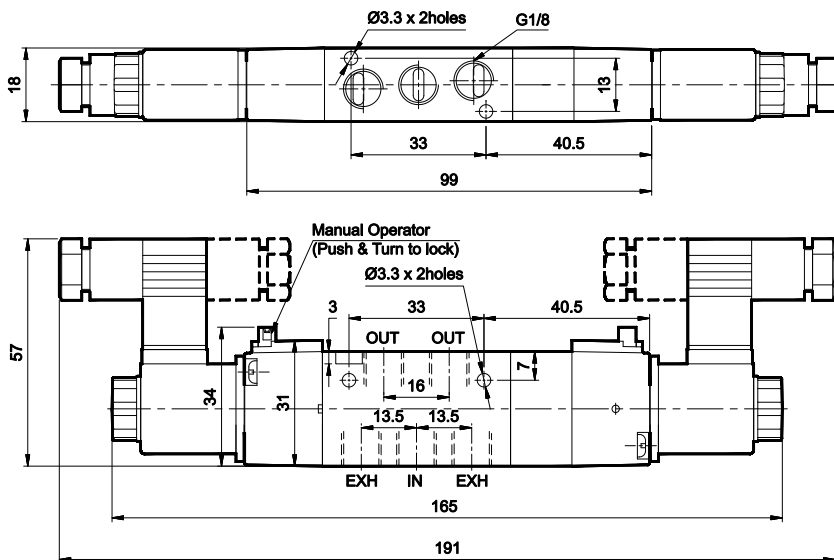
## 5 / 2 Double solenoid pilot operated valve



1 - Inlet, 2,4 - Outlet, 3,5 - Exhaust

Ordering No*	DS254SS60
Symbol	

## 5 / 3 Double solenoid pilot operated valve with spring centered



1 - Inlet, 2,4 - Outlet, 3,5 - Exhaust

Ordering No*	DS264SC60	DS274SC60	DS284SC60
Type	Blocked	Exhausted	Energised
Symbol			

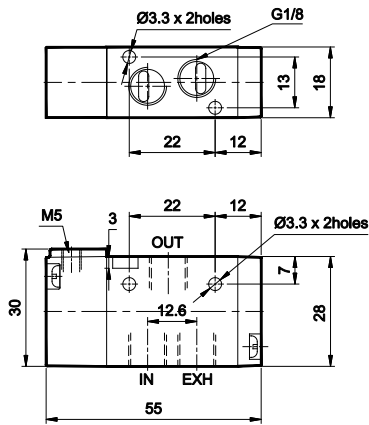
\* For ordering No, voltage to be added. Refer page no. 2.3.9

# COMPACT VALVE - 1/8

Series DS2

Cat No DS2 - 01 - 07

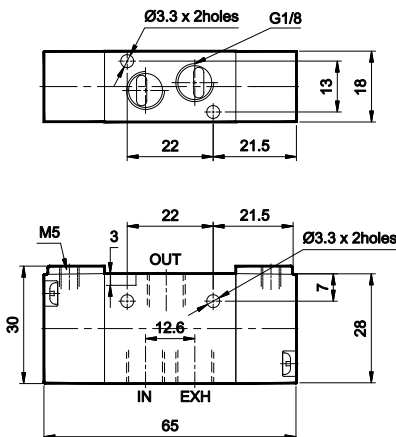
## 3 / 2 Single External pilot operated valve with spring return



1 - Inlet, 2 - Outlet, 3 - Exhaust, 12, 10 - External pilot

Ordering No	DS234ER60	DS244ER60
Type	Normally open	Normally closed
Symbol		

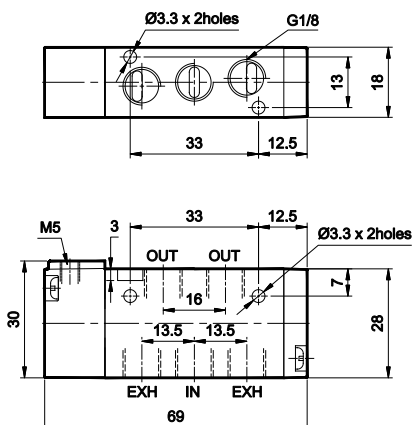
## 3 / 2 Double External pilot operated valve



1 - Inlet, 2 - Outlet, 3 - Exhaust, 12, 10 - External pilot

Ordering No	DS234EE60	DS244EE60
Type	Normally open	Normally closed
Symbol		

## 5 / 2 Single External pilot operated valve with spring return



1 - Inlet, 2,4 - Outlet, 3,5 - Exhaust, 14 - External pilot

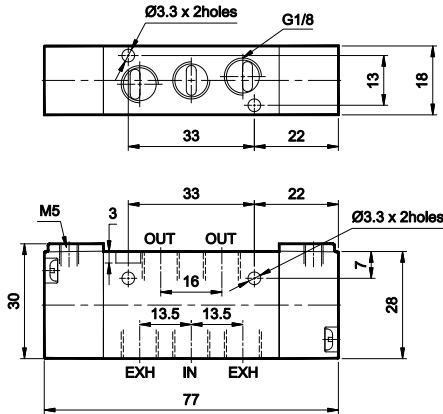
Ordering No	DS254ER60
Symbol	

# COMPACT VALVE - 1/8

## Series DS2

Cat No DS2 - 01 - 07

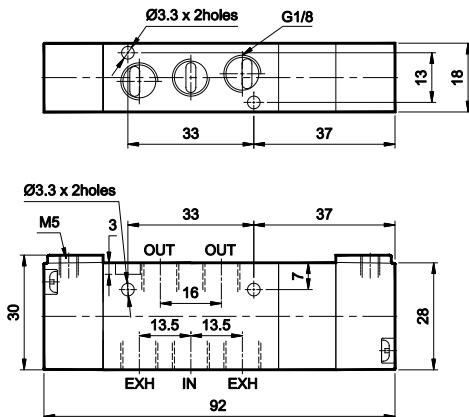
### 5 / 2 Double External pilot operated valve



1 - Inlet, 2,4 - Outlet, 3,5 - Exhaust, 14,12 - External pilot

Ordering No	DS254EE60
Symbol	

### 5 / 3 Double External pilot operated valve with spring centered



1 - Inlet, 2,4 - Outlet, 3,5 - Exhaust, 14,12 - External pilot

Ordering No	DS264EC60	DS274EC60	DS284EC60
Type	Blocked	Exhausted	Energised
Symbol			

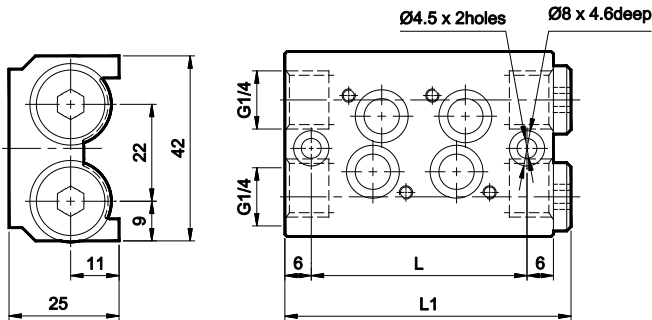
# COMPACT VALVE - 1/8

Series DS2

Cat No DS2 - 01 - 07

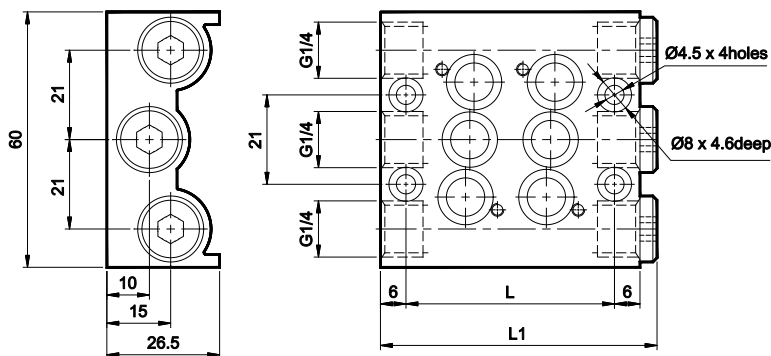
## MANIFOLDS FOR COMPACT VALVE

### Manifold - Type M051 ( for 3/2 valves)



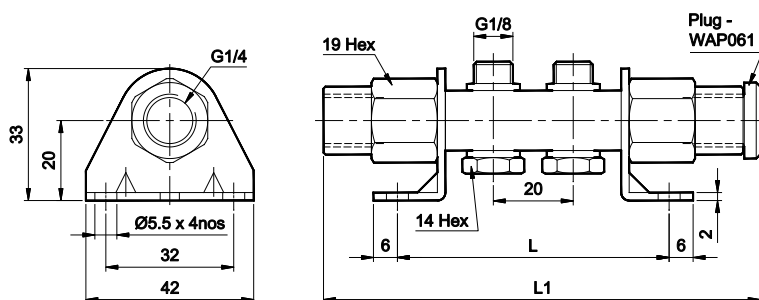
For mounting	L	L1	Ordering no
2 valves	49	65	M0510102
4 valves	87	103	M0510104
6 valves	125	141	M0510106
8 valves	163	179	M0510108

### Manifold - Type M003 ( for 5/2, 5/3 valves)



For mounting	L	L1	Ordering no
2 valves	49	65	M0030102
4 valves	87	103	M0030104
6 valves	125	141	M0030106
8 valves	163	179	M0030108

### Manifold - Type M004 ( for 3/2, 5/2, 5/3 valves)



For mounting	L	L1	Ordering No
2 valves	68	114	M0040102
4 valves	108	154	M0040104
6 valves	148	194	M0040106
8 valves	188	234	M0040108

Note : While mounting compact valves in M004 type manifold, use only AS0160 silencers

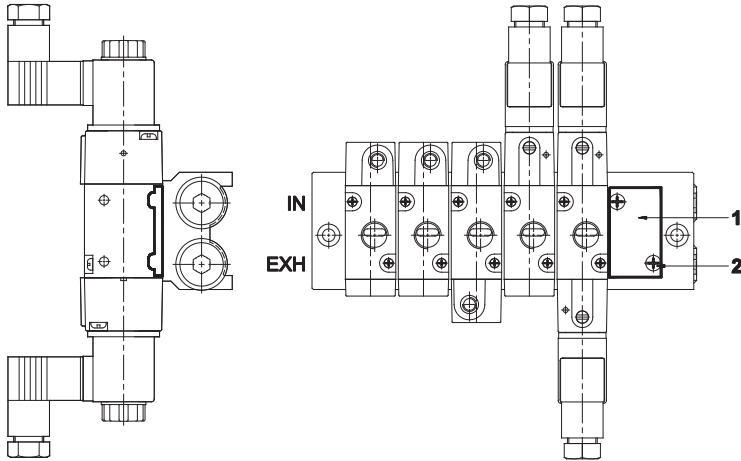
# COMPACT VALVE - 1/8

Series DS2

Cat No DS2 - 01 - 07

## ACCESSORIES FOR COMPACT VALVE

### Cover plate assembly for Manifold Type M051

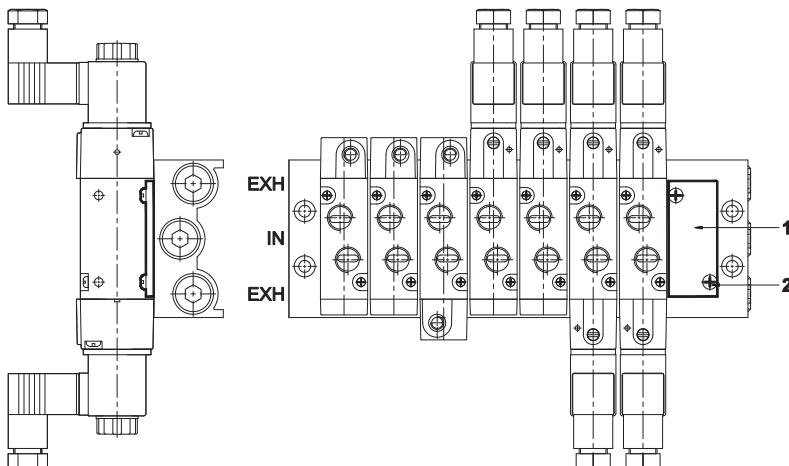


SL NO	Item	Qty	Ordering No
1	Cover plate	1	A4C07
2	Screw - M3x8	2	

#### Application:

The cover plate assembly can be used to plug the unutilised position in a manifold. For eg., if it is required to mount only 5 valves on manifold no. M0510106, the sixth position can be plugged and made dummy using a cover plate assembly. (refer picture above)

### Cover plate assembly for Manifold Type M003



SL NO	Item	Qty	Ordering No
1	Cover plate	1	A4C06
2	Screw - M3x8	2	

#### Application:

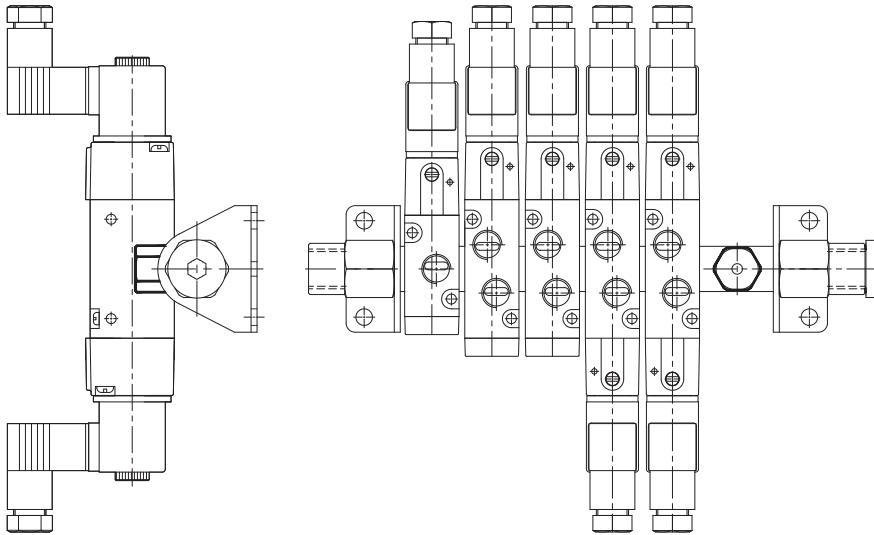
The cover plate assembly can be used to plug the unutilised position in a manifold. For eg., if it is required to mount only 7 valves on manifold no. M0030108, the eighth position can be plugged and made dummy using a cover plate assembly. (refer picture above)

# COMPACT VALVE - 1/8

Series DS2

Cat No DS2 - 01 - 07

## Dummy plug for Manifold Type M004



Item	Ordering No.
Dummy plug	A4C08

### Application:

This dummy plug can be used to plug the unutilised position in a manifold. For eg., if it is required to mount only 5 valves on manifold no. M0040106, the sixth position can be plugged and made dummy using a dummy plug. (refer picture above)



# COMPACT VALVE - 1/8

## Series DS2

Cat No DS2 - 01 - 07

### How to order

#### 1. Solenoid valve + “ Connectors without LED ”

While ordering Solenoid operated valves, please mention the suffix given below along with the model number to indicate the required voltage

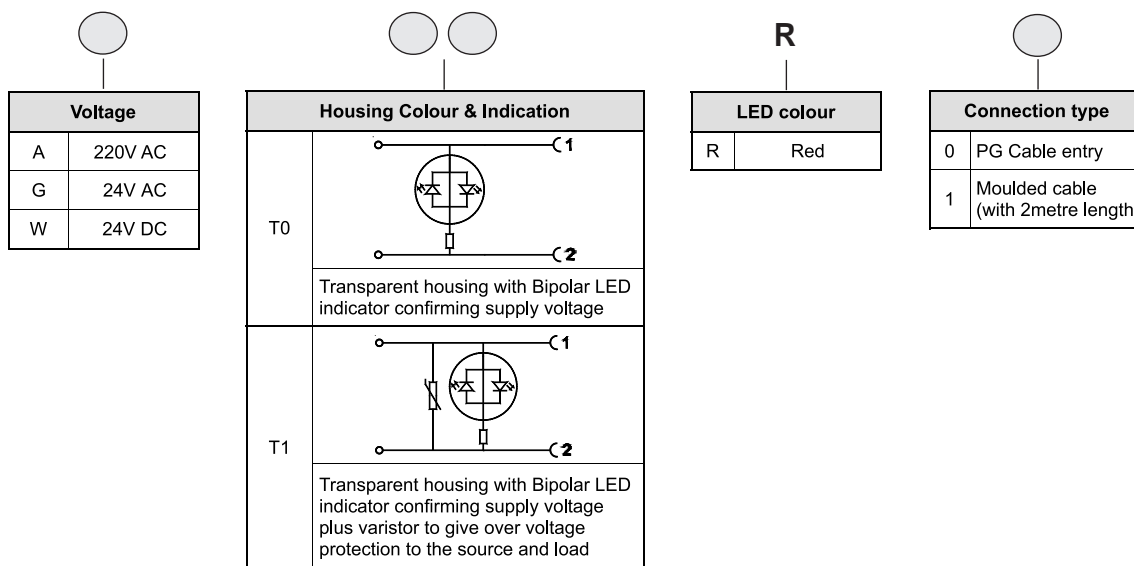
A	220V AC	Q	110V DC
B	110V AC	S	48V DC
D	48V AC	W	24V DC
G	24V AC	R	12V DC

#### Example

- The ordering no. for 3/2 NC Single solenoid valve, 24V D.C coil with PG cable is **DS244SR60-W**
- The ordering no. for 3/2 NC Single solenoid valve, 24V D.C coil with Moulded cable is **DS244SR60-W1**

#### 2. Solenoid valve + “ Connectors with LED ”

While ordering Solenoid operated valves with LED connectors, given below in the corresponding tables.



#### Example

The Ordering no for 3/2 NC Single solenoid valve (1/8"), 24V DC, connectors with LED of Transparent colour housing with Bipolar LED and varistor, Red colour LED with moulded cable : **DS244SR60-WT1R1**

#### Coil spare ordering no.

Coil ( without connector )	Ordering no.	
	AC	DC
220	AC34A	- NA -
110	AC34B	DC36Q
48	AC34D	DC36S
24	AC34G	DC36W
12	- NA -	DC36R