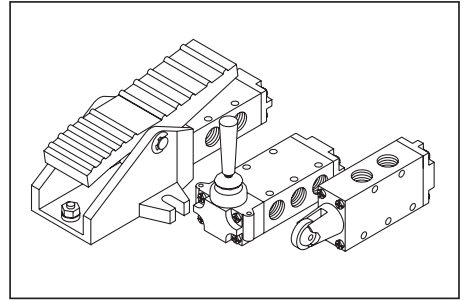


G 1/4 - 5/2 Manually Operated Modular Spool Valves

- Sturdy and rugged in construction.
- Manually operated valves are available with 4 types of actuation namely Push Button Actuated, Roller Actuated, Hand lever Actuated and Foot lever actuated.
- Basic design is side ported, Sub base optional against specific requirement.

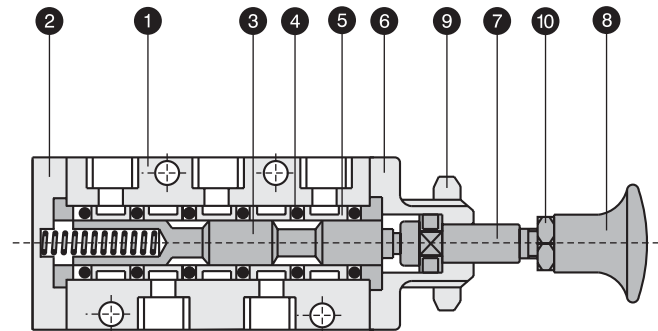


PART LIST

5/2 PUSH BUTTON ACTUATED MODULAR SPOOL VALVE

NO.	DESCRIPTION	QTY.
1	Body	1
2	Spring Housing	1
3	Spool	1
4	'O' ring	6
5	Shell	5
6	Push button housing	1
7	Plunger	1
8	Button	1
9	Check nut	1
10	Lock Nut	1

Seal kit consists of items 4 & 5



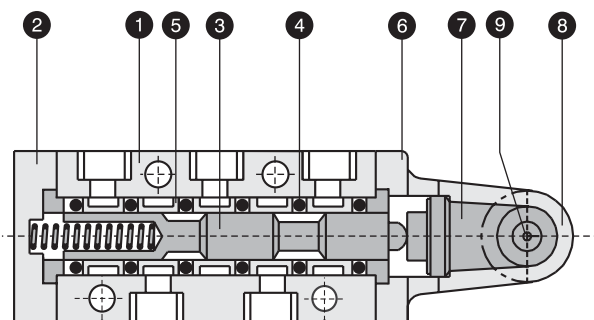
5/2 Push Button Actuated Modular Spool Valve

PART LIST

5/2 ROLLER ACTUATED MODULAR SPOOL VALVE

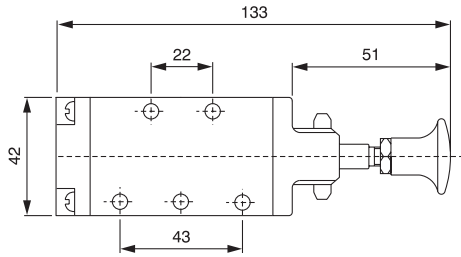
NO.	DESCRIPTION	QTY.
1	Body	1
2	Spring Housing	1
3	Spool	1
4	'O' ring	6
5	Shell	5
6	Roller housing	1
7	Plunger	1
8	Roller	1
9	Pin	1

Seal kit consists of items 4 & 5



5/2 Roller Actuated Modular Spool Valve

G 1/4 - 5/2 Push Button Actuated Modular Spool Valve



PART NOS.

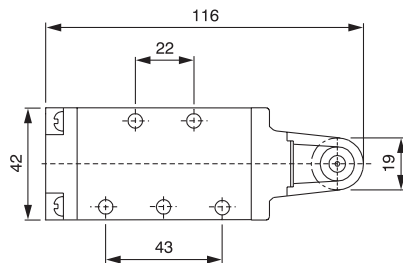
Type	Side ported valve	Valve with Sub-base Plate
Push button operated spring return	53004 HS*	53204 HS*
Seal Kit	SK 53004 M	SK 53204 M

*H instead of HS for valve without spring return

SPECIFICATIONS

Medium	Compressed air, Filtered
Design	Spool type with spring return
Working pressure	0 - 10 bar
Ambient / fluid temp.	- 10° C to 85° C
Cv (Nominal flow)	1.0 (1000 lit. / min.)
Materials	Body : Aluminium Spool : EN1 A, Hard chrome plated Seals : NBR

G 1/4 - 5/2 Roller Actuated Modular Spool Valve



PART NOS.

Type	Side ported valve	Valve with Sub-base Plate
Roller lever operated spring return	53004 RS	53204 RS
Seal kit	SK 53004 M	SK 53204 M

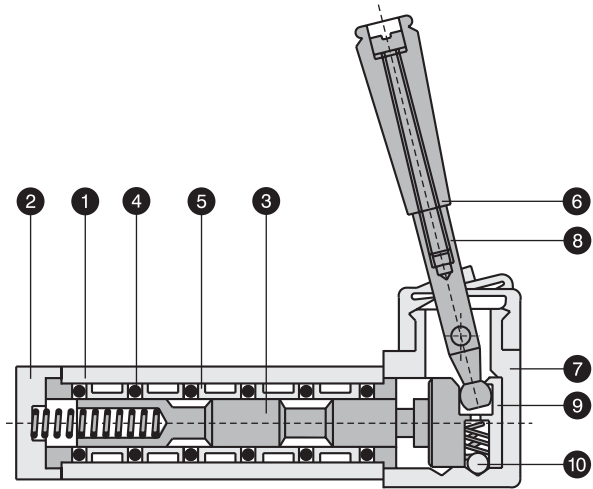
SPECIFICATIONS

Medium	Compressed air, Filtered
Design	Spool type with spring return
Working pressure	0 - 10 bar
Ambient / fluid temp.	- 10° C to 85° C
Cv (Nominal flow)	1.0 (1000 lit. / min.)
Materials	Body : Aluminium Spool : EN1 A, Hard chrome plated Seals : NBR

PART LIST
5/2 HAND LEVER ACTUATED
MODULAR SPOOL VALVE

NO.	DESCRIPTION	QTY.
1	Body	1
2	Spring Housing	1
3	Spool	1
4	'O' ring	6
5	Shell	5
6	Handle	1
7	Lever housing	1
8	Lever	1
9	Plunger	1
10	Ball	1

Seal kit consists of items 4 & 5

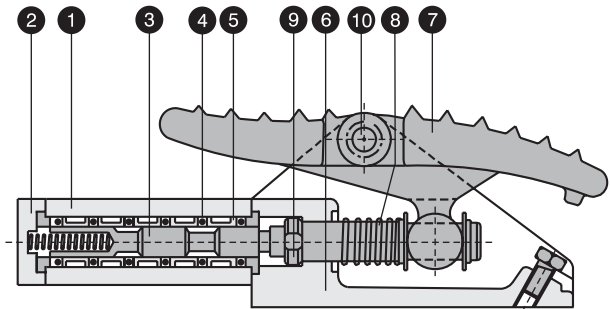


5/2 Hand Lever Actuated Modular Spool Valve

PART LIST
5/2 FOOT LEVER ACTUATED
MODULAR SPOOL VALVE

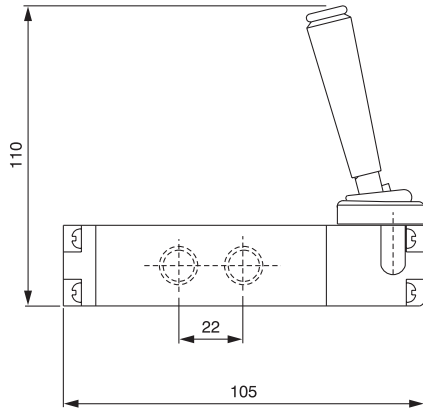
NO.	DESCRIPTION	QTY.
1	Body	1
2	Spring housing	1
3	Spool	1
4	'O' ring	6
5	Shell	5
6	Foot lever housing	1
7	Pedal	1
8	Spring	1
9	Plunger	1
10	Pin	1

Seal kit consists of items 4 & 5



5/2 Foot Lever Actuated Modular Spool Valve

G 1/4 - 5/2 Hand Lever Operated Modular Spool Valve



PART NOS.

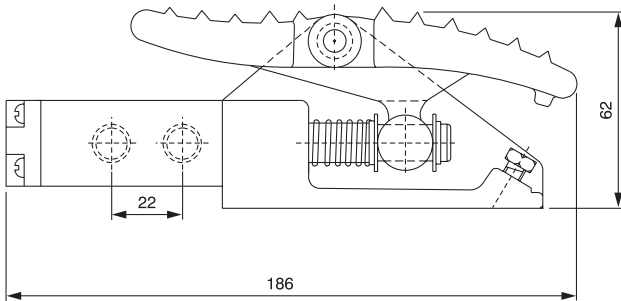
Type	Side ported valve	Valve with Sub-base Plate
Hand lever operated spring return	53004 LS*	53204 LS*
Seal Kit	SK 53004 M	SK 53204 M

* L instead of LS for valve without spring return

SPECIFICATIONS

Medium	Compressed air, Filtered
Design	Spool type with spring return
Working pressure	0 - 10 bar
Ambient / fluid temp.	- 10° C to 85° C
Cv (Nominal flow)	1.0 (1000 lit. / min.)
Materials	Body : Aluminium Spool : EN1 A, Hard chrome plated Seals : NBR

G 1/4 - 5/2 Foot Lever Actuated Modular Spool Valve



PART NOS.

Type	Side ported valve	Valve with Sub-base Plate
Foot lever operated spring return	53004 FS	53204 FS
Seal kit	SK 53004 M	SK 53204 M

SPECIFICATIONS

Medium	Compressed air, Filtered
Design	Spool type with spring return
Working pressure	0 - 10 bar
Ambient / fluid temp.	- 10° C to 85° C
Cv (Nominal flow)	1.0 (1000 lit. / min.)
Materials	Body : Aluminium Spool : EN1 A, Hard chrome plated Seals : NBR