



### Features

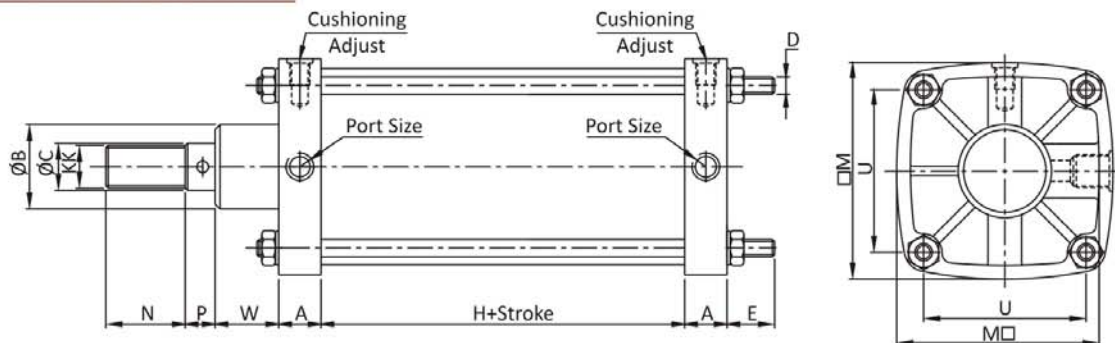
- ▶▶ Large range of bore size
- ▶▶ Stroke available up to 2500 mm
- ▶▶ Long established tie rod design, proven ruggedness & reliability
- ▶▶ Adjustable cushioning at both end
- ▶▶ Extensive choice of mounting
- ▶▶ Stainless Steel barrel upto 2500 mm
- ▶▶ Available in both magnetic & non - magnetic version



### Technical Specifications

Bore Dia	125	150	200	250	300	350	400	450
Stroke	Upto 2500 mm							
Cushion	Available at both ends							
Barrel	Stainless Steel							
Piston Rod	EN 8 with hard chrome plated (25 microns around the shaft )							
Piston Rod Dia	32	38	51	56	70			
End Cover	Aluminium Pressure Die Cast							
Sales	Polyurethane, Nitrile (Viton seal available on request for high temperature)							
Surface Treatment	Auto finish enameling end cover & cylinder barrel							
Mounting	Std. Mounting available (for more details see dimension)							

### Basic Cylinder Dimensions For ANC

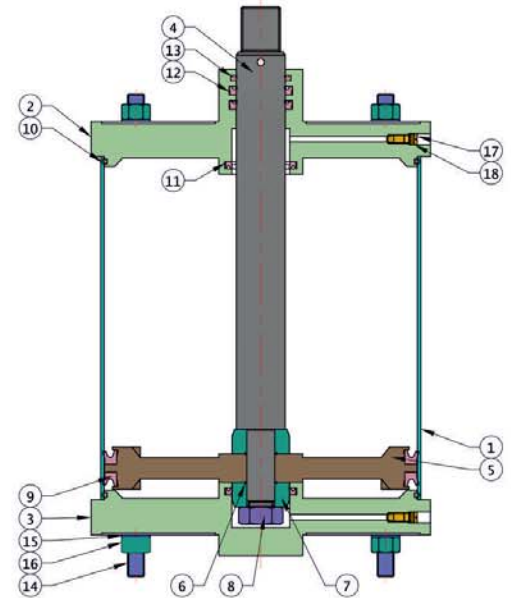


Bore die	KK	H	A	W	P	N	E	U	□M	ØB	ØC	D	K*	Port Size
125	M24X3P.	57	32	44	19	36	35	110	144	54	32	M12	613	G1/2"
150	M24X3P.	57	32	44	19	36	35	126	167	54	32	M12	880	G1/2"
200	M30X3.5P.	70	45	50	20	45	50	175	230	70	38	M16	1797	G3/4"
250	M42X4.5P.	100	50	55	26	57	60	210	277	90	51	M20	2450	G1"
300	M42X4.5P.	100	50	55	26	57	60	250	335	90	51	M20	3770	G1"
350	M42X4.5P.	90	55	75	25	65	60	290	385	110	56	M24	4800	G1"
400	M42X4.5P.	90	55	75	25	65	60	325	435	120	56	M24	6280	G1"
450	M56X5P.	90	55	75	30	65	60	357	485	120	70	M24	7950	G1"

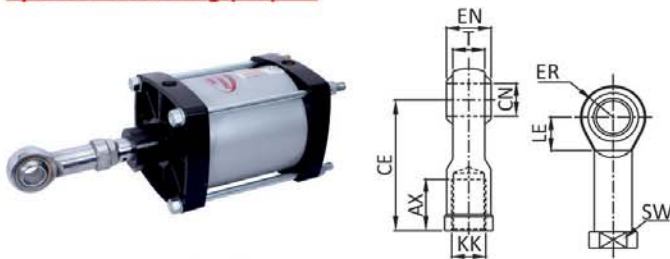
\*K = Push Force at 5 Kg/cm<sup>2</sup>

**Model : RMS**  
**Series : R50**

No.	Item Name	Material
1	Round Pipe	Stainless Steel
2	Top Cover	C.I. (IS:210 FG:220)
3	Bottom Cover	C.I. (IS:210 FG:220)
4	Piston Rod	BS-970-90,EN-8,(080M40)
5	Piston	C.I. (IS:210 FG:220)
6	O-Ring For Piston	NITRILE BUNA-N,
7	Collar	BS-970-90,EN-8, (080M40)
8	Piston Lock Nut	BS-970-90,EN-8, (080M40)
9	V-Seal For Piston	Hi - Nitrile
10	Diameter Ring	NITRILE BUNA-N,
11	Cushion Seal	NITRILE BUNA-N,
12	Shaft V-Seal	NITRILE BUNA-N,
13	Duster V-Seal	NITRILE BUNA-N,
14	Stud	BS-970-90,EN-8, (080M40)
15	Washer	BS-970-90,EN-8, (080M40)
16	Nut For Stud	BS-970-90,EN-8, (080M40)
17	Cushion Pin	BS-970-90,EN-8, (080M40)
18	O-Ring For Cushion Pin	NITRILE BUNA-N,

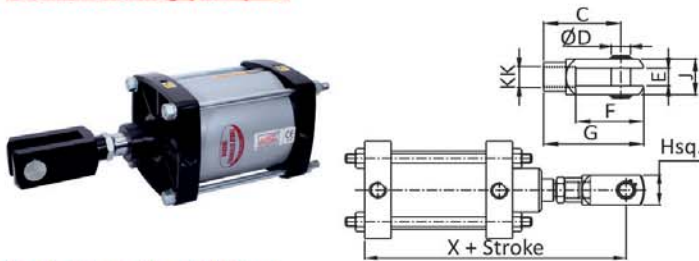


**Eye Rod Mounting (AR) - G**



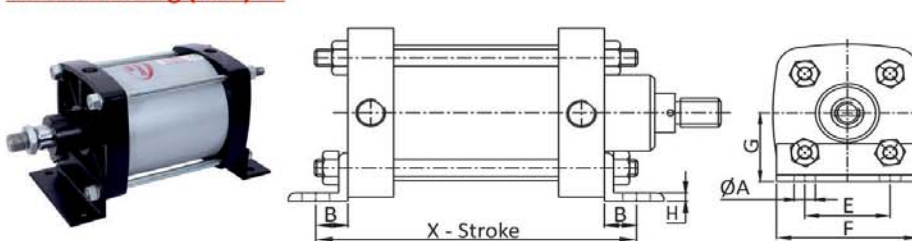
Bore die	KK	EN	T	CN	AX	CE	ER	LE	SW	CE
125	M24X3P	30	22	25	40	93.5	30	33.5	36	----
150	M24X3P	30	22	25	40	93.5	30	33.5	36	----
200	M30X3.5P	44	30	35	50	133.5	45.5	45.5	60	137.5
250	M42X4.5P	44	30	35	60	145.5	45.5	45.5	55	142.5
300	M42X4.5P	44	30	35	60	145.5	45.5	45.5	55	142.5
350	ON REQUEST									
400	ON REQUEST									
450	ON REQUEST									

**Fork Mounting (ARC) - A**



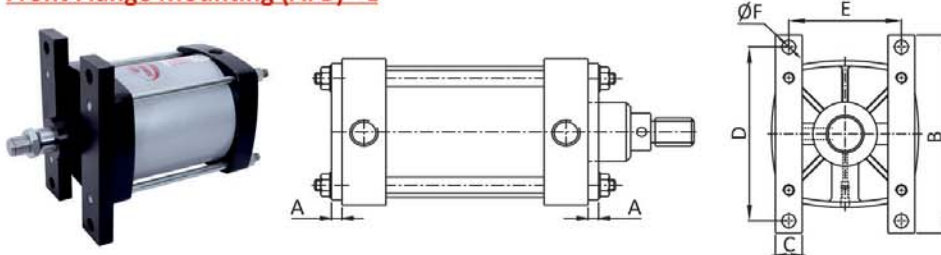
Bore die	KK	C	ØD	E	F	G	J	X	Hsq.
125	M24X3P	100	25	25	93	124	50	295	50
150	M24X3P	100	25	25	93	124	50	295	50
200	M30X3.5P	111	30	32	100	142	63	353	63
250	M42X4.5P	128	35	35	108	167	70	425	70
300	M42X4.5P	128	35	35	108	167	70	425	70
350	M42X4.5P	128	35	35	108	167	70	434	70
400	M42X4.5P	128	35	35	108	167	70	434	70
450	ON REQUEST								

**Foot Mounting (AFB) - L**



Bore die	ØA	B	E	F	G	H	X
125	12.5	33	110	140	78	6	187
150	12.5	33	126	156	88	6	187
200	16.5	44	175	225	120	8	248
250	21	50	210	275	150	8	300
300	21	50	250	340	180	10	300
350	25	60	290	385	205	10	310
400	25	60	325	435	230	12	310
450	ON REQUEST						

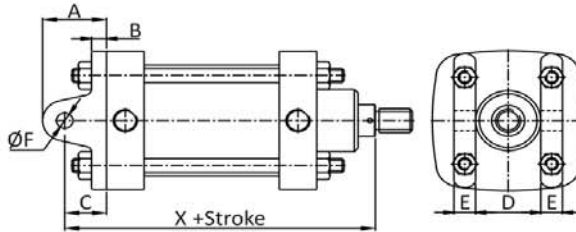
**Front Flange Mounting (AFB) - L**



Bore die	A	B	C	D	E	ØF
125	20	215	45	178	110	17
150	18	235	50	200	126	17
200	20	315	50	259	175	22
250	25	370	50	325	210	25.5
300	25	443	50	393	250	25.5
350	30	494	70	420	290	28
400	30	555	70	470	325	28
450	30	587	----	504	357	28

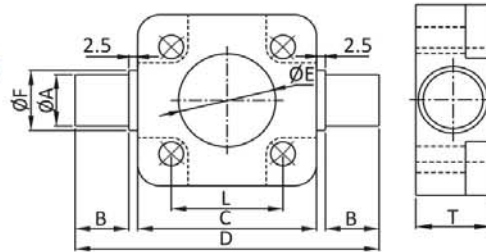
Note : Since, constant worldwide advancement in technology, We keep our rights reserved to make changes time to time in Technical Specification and Dimensions without prior notice.

### Pivot Mounting (AP) - S



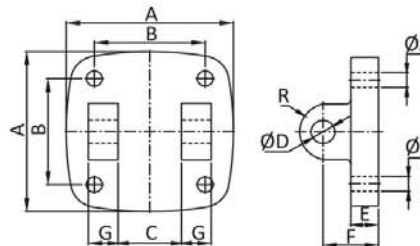
Bore die	A	B	C	D	E	ØF	X
125	63	18	35	88	22	25	219
150	63	18	35	102	24	25	219
200	80	22	48	139	36	30	278
250	94	25	57	170	40	36	338
300	94	25	57	208	42	36	338
350	135	30	90	248	42	40	380
400	120	40	80	283	42	40	370
450	ON REQUEST						

### Front & Rear Trunnion Mounting (TM) - M



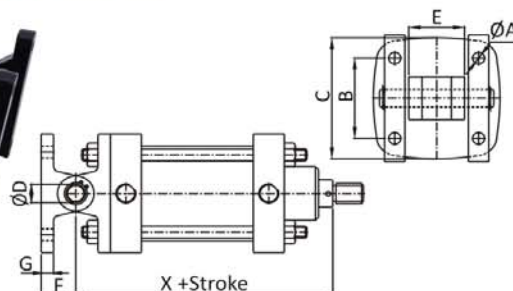
Bore die	ØA	B	ØE	C	D	T	L	ØF
125	25	25	63	133	210	50	110	50
150	32	32	63	166	264	50	126	50
200	45	36	70	230	302	45	175	ON REQUEST
250	50	60	90	277	397	50	210	ON REQUEST
300	50	60	90	335	455	50	250	ON REQUEST
350	50	65	120	385	515	50	290	ON REQUEST
400	50	65	120	435	565	50	325	ON REQUEST
450	ON REQUEST							

### Center Lug Mounting (ACL) - D



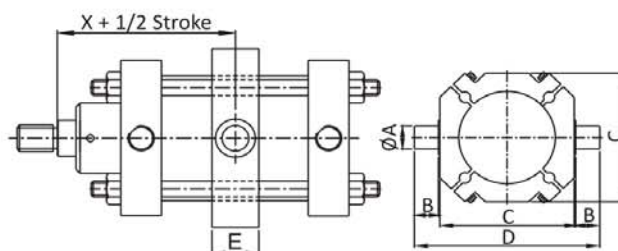
Bore die	A	B	C	R	ØD	ØJ	E	F	G
125	149	110	40	31	25	12.5	20	57	24
150	167	126	50	29	25	12.5	20	57	26
200	233	175	72	33	30	16.5	22	64	33
250	277	210	92	40	36	21	26	70	39
300	335	250	123	47	36	21	25	85	40
350	387	290	ON REQUEST						
400	438	325	ON REQUEST						
450	ON REQUEST								

### Pivot Bracket & Pin Mounting (AB - P) - S



Bore die	ØA	B	C	ØD	E	F	G	X
125	12.5	110	149	25	88	35	18	241
150	12.5	126	167	25	102	35	18	241
200	16.5	175	233	30	138	48	22	294
250	21	210	277	36	170	57	25	351
300	21	250	335	36	203	57	25	366
350	25	290	ON REQUEST					
400	25	325	ON REQUEST					
450	ON REQUEST							

### Center Trunnion Mounting (NCTM) - T



Bore die	ØA	B	C	D	E	X
125	40	33.5	180	252	50	123.5
150	40	33.5	207	279	50	123.5
200	48	36	266	343	80	150
250	60	60	335	461	95	181
300	60	60	390	516	95	181
350	65	65	ON REQUEST	110	ON REQ.	ON REQ.
400	ON REQUEST					
450	ON REQUEST					