



# FEED AND POWER HAND PUMP HP 5012 / HP 5016 / HP 5012-1000

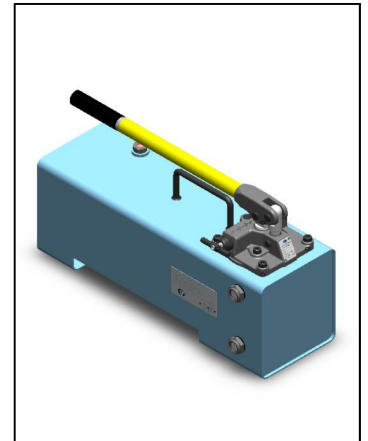
Ref. No. D 04911  
Release 01 / 2015

ENGINEERING - 1 of 3

A Polyhydron Group Company

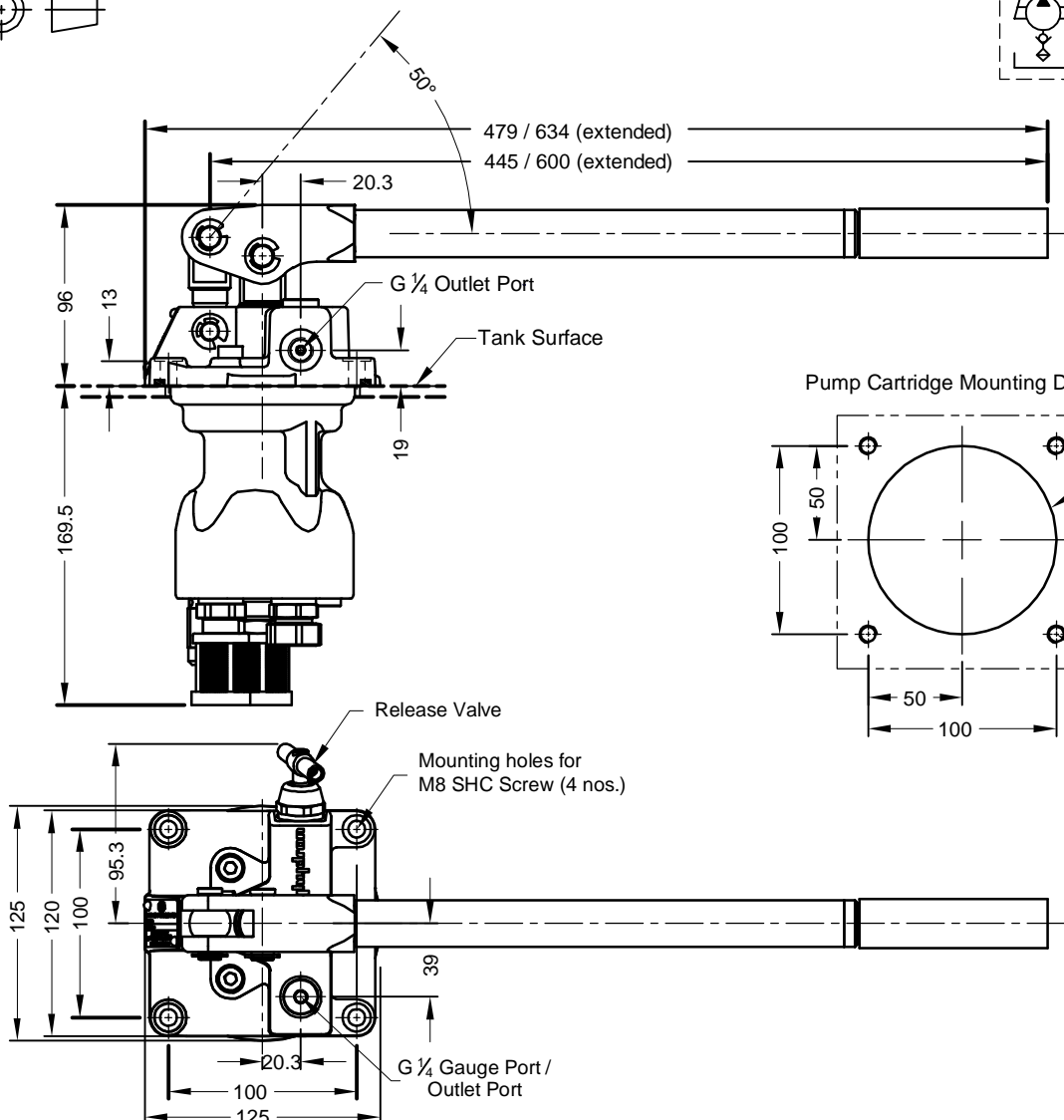
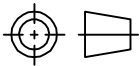
## Description

Feed and Power hand pump is meant for applications where initial travel of the Cylinder / Jack, to which it is connected is under no load or very low load. The pump provides considerably high displacement under low pressure for rapid travel of the Cylinder / Jack and then automatically changes to low displacement when pressure starts rising (above 30 bar), thereby reducing the efforts required to operate the pump. The pump has built in Relief valve (factory set at maximum pressure) as a standard feature for safety of pump as well as the equipment connected to it. The pump also has a Release valve to retract the Cylinder / Jack under external force. The telescopic collapsible handle of the pump is meant for shorter hand movement, when working at low pressure. It also makes the pump compact for transportation. To reduce the force applied by hand, the handle should be extended. The pump also has an additional port for connecting a pressure gauge, if required.

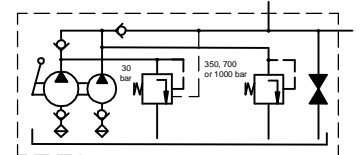


## Unit dimensions

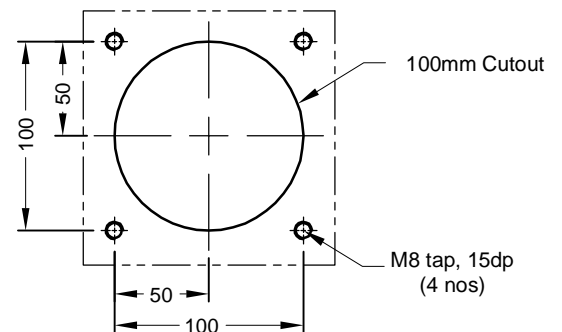
Dimensions in mm.



## Hydraulic symbol



## Pump Cartridge Mounting Details:



**polyhydron pvt. ltd.**

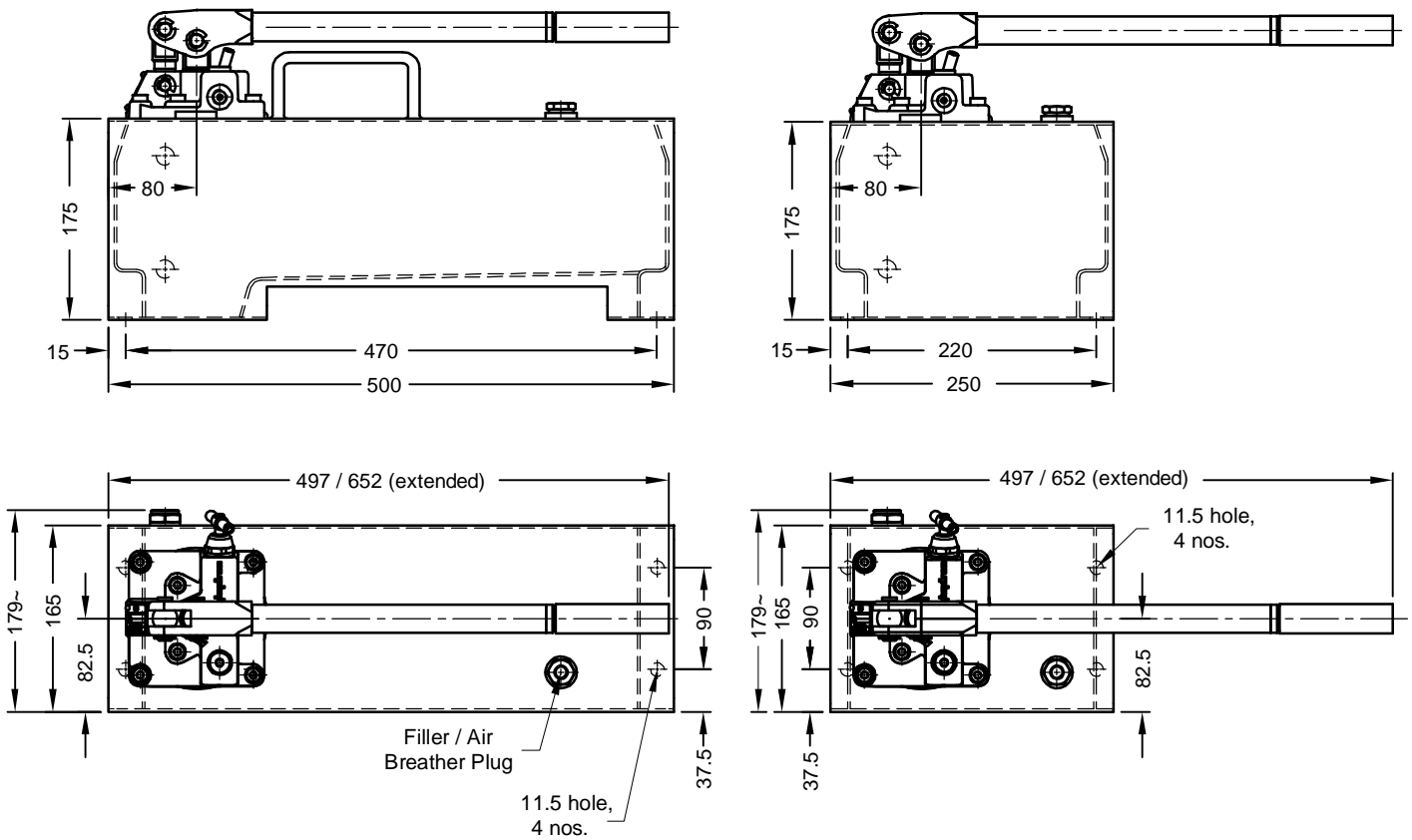
78-80, Machhe Industrial Estate,  
Machhe, Belgaum - 590 014. INDIA.

Phone : +91-(0)831- 2411001  
Fax : +91-(0)831- 2411002  
E-mail : polyhydron@gmail.com  
Website : www.polyhydron.com



**Pump with Regular oil tank**

**Pump with Small oil tank**



**Technical specifications**

- Construction..... Differential Piston with Single hand lever
- Hydraulic medium..... Mineral oil, (ISO VG 68 Grade recommended)
- Max. working pressure..... Refer Table 1.
- Displacement..... Refer Table 1.
- Oil Tank Capacity and Displacement.....

Specification	Regular tank	Small tank
Oil tank Capacity	8.5 lts	5 lts
Oil tank Displacement	7.7 lts	3.7 lts

- Force required at the end of hand lever at max. pressure..... Refer Table 1.
- Viscosity range..... 10cst to 380 cst.
- Fluid temperature range..... -20°C to +70°C.
- Fluid Cleanliness requirement..... ISO 4406 20/18/15 or better.
- Mass.....
  - Pump cartridge only..... 7.8 Kg
  - Pump with Regular oil tank (Without oil)..... 15.5 Kg
  - Pump with Small oil tank (without oil)..... 12.4 Kg



**Table 1.**

Specification	Unit	HP5012	HP5012-1000	HP5016
Max. Working Pre.	bar	700	1000	350
Displacement capacity Upto 30 bar	cm <sup>3</sup> / stroke	49	49	49
Displacement capacity Above 30 bar	cm <sup>3</sup> / stroke	2.8	2.8	5
Force required at the end of extended hand lever	N	385	550	340

**Ordering code**

